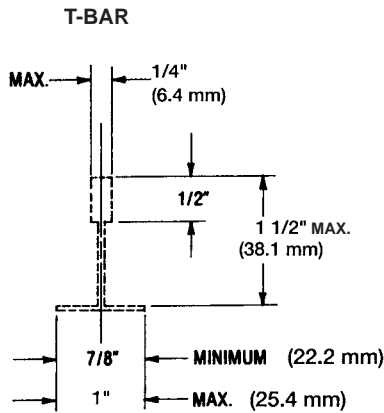
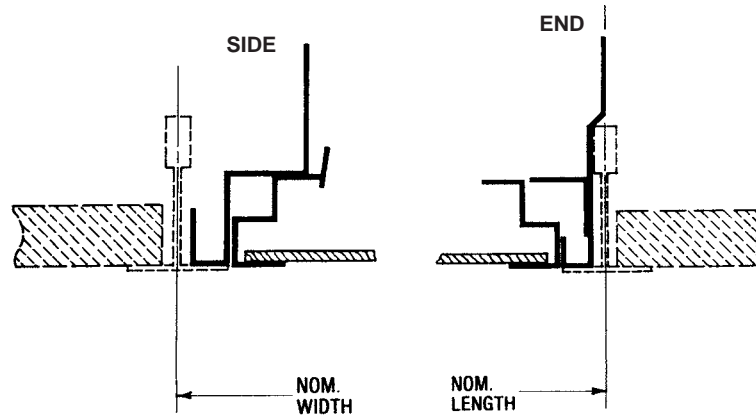


NEMA G (Grid)

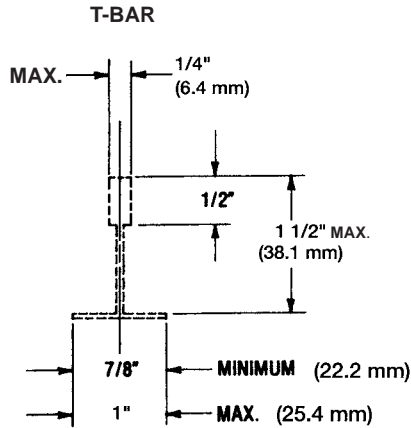


Fixture

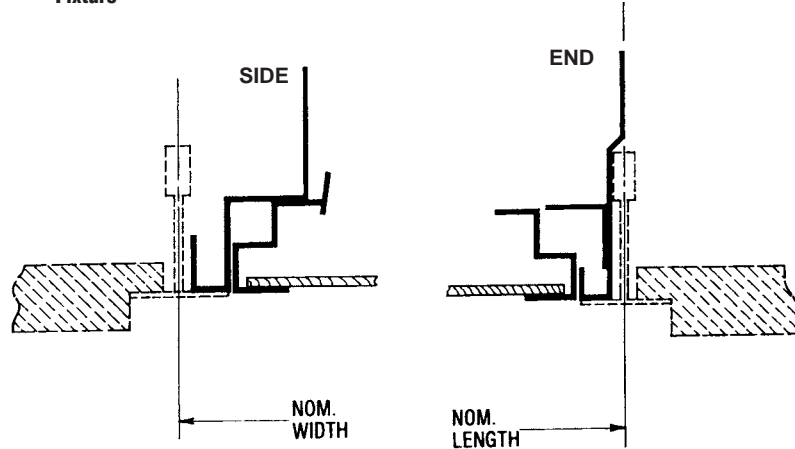


If T-Bar clips are integral with or furnished with the luminaire, they shall be field secured to the inverted ceiling Tee's. 1"=25.4mm

NEMA G (Tegular)

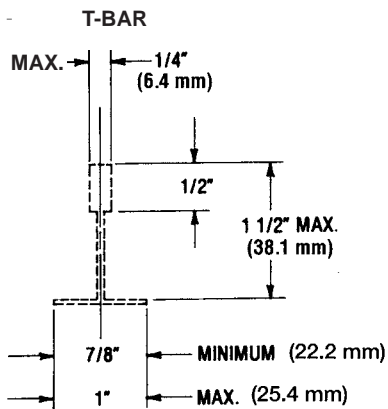


Fixture

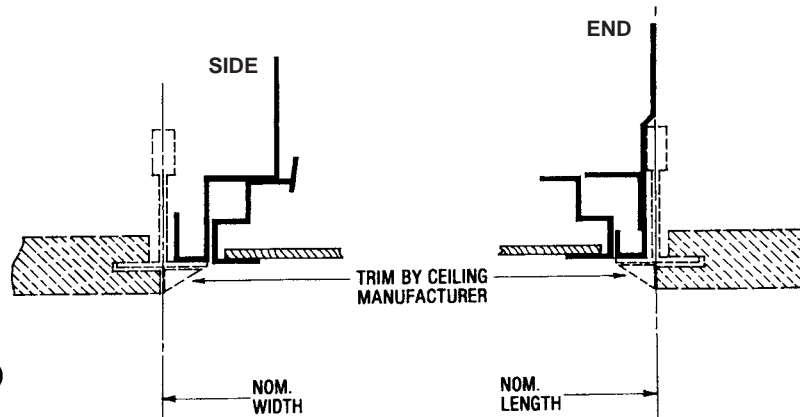


If T-Bar clips are integral with or furnished with the luminaire, they shall be field secured to the inverted ceiling Tee's. 1"=25.4mm

NEMA GR (Grid Regressed)

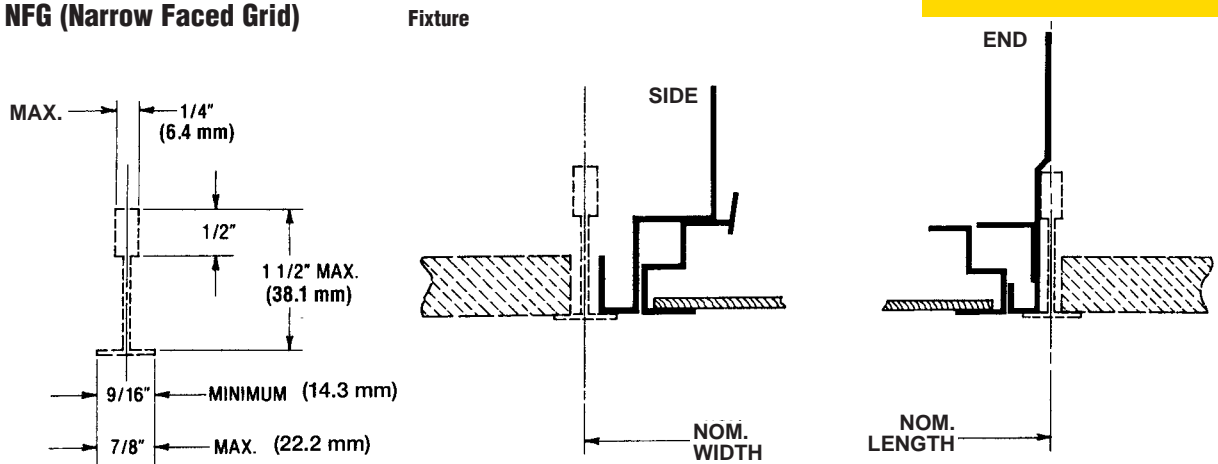


Fixture



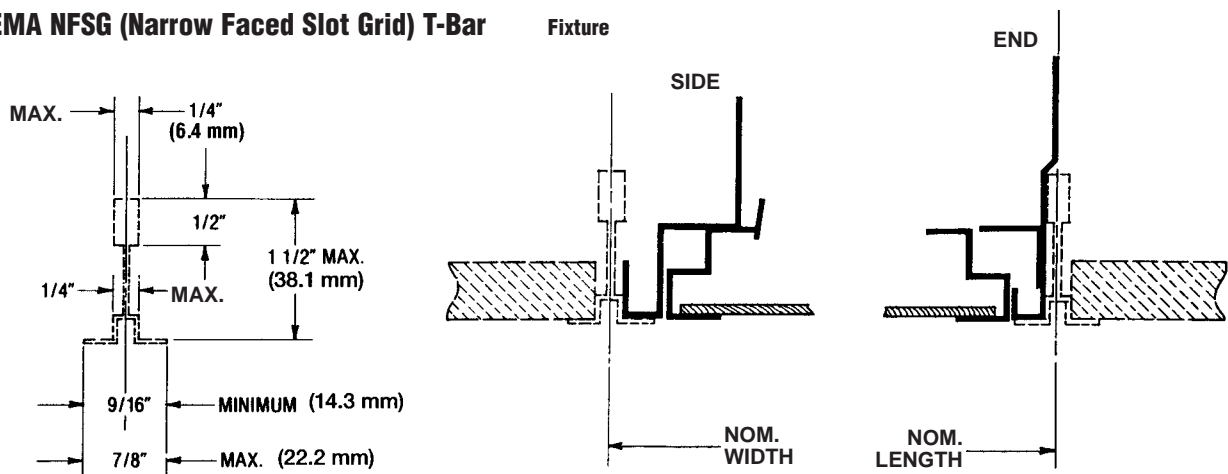
If T-Bar clips are integral with or furnished with the luminaire, they shall be field secured to the inverted ceiling Tee's. 1"=25.4mm

NEMA NFG (Narrow Faced Grid)



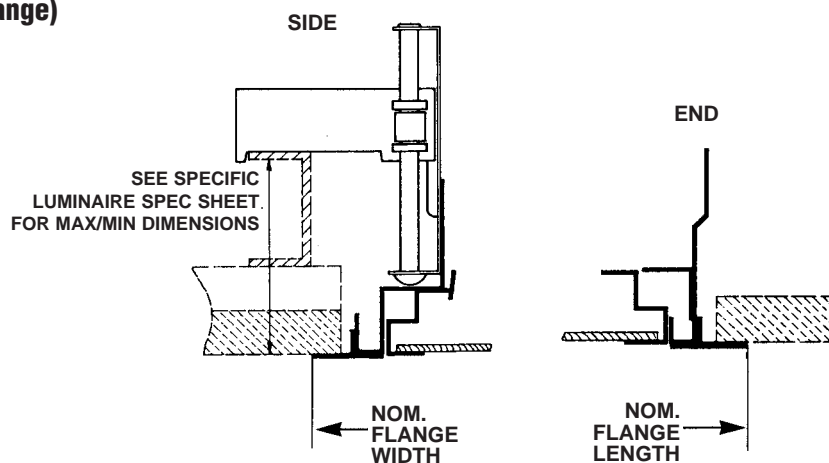
If T-Bar clips are integral with or furnished with the luminaire, they shall be field secured to the inverted ceiling Tee's, and the luminaire shall be centered within the opening. 1"=25.4mm

NEMA NFSG (Narrow Faced Slot Grid) T-Bar



If T-Bar clips are integral with or furnished with the luminaire, they shall be field secured to the inverted ceiling Tee's, and the luminaire shall be centered within the opening. 1"=25.4mm

NEMA F (Flange)



MINIMUM CEILING OPENING REQUIRED IS NOMINAL FIXTURE WIDTH AND LENGTH. RECOMMENDED CEILING OPENING IS NOMINAL SIZE PLUS 1/4". EXAMPLE: RECOMMENDED OPENING FOR A 2X4 FIXTURE IS 24-1/4" X 48-1/4".

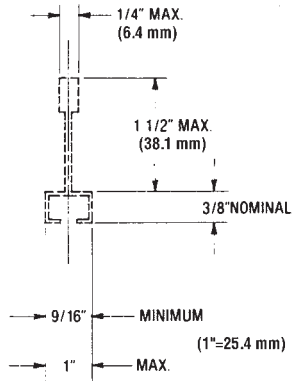
NOMINAL FLANGE WIDTH AND LENGTH IS 1" MORE THAN NOMINAL FIXTURE WIDTH AND LENGTH. EXAMPLE: FOR A 2'X4' FIXTURE, FLANGE WIDTH IS 25" AND LENGTH IS 49".

FOR LUMINAIRES MOUNTED IN CONTINUOUS ROWS:

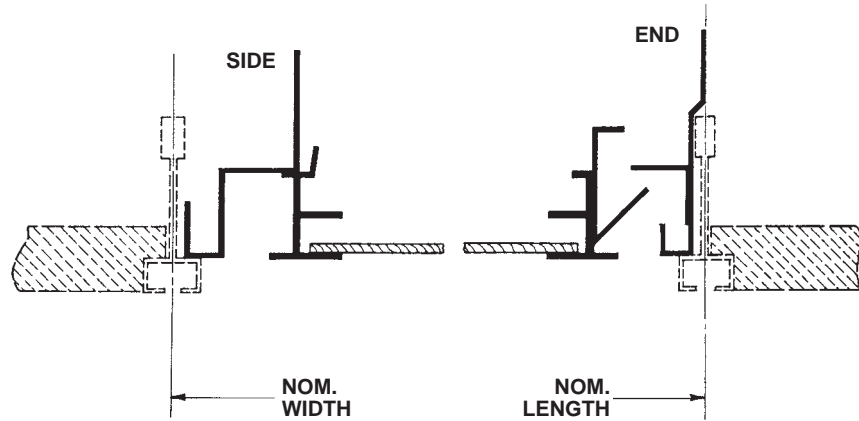
- 1) REMOVE END FLANGE (SECURED BY SCREWS) FROM ONE LUMINAIRE WHERE LUMINAIRES JOIN.
- 2) TOTAL CEILING OPENING RECOMMENDED IS THE SUM OF THE NOMINAL FIXTURE LENGTHS PLUS 1/4".

EXAMPLE: FOR 3 - 2 X 4 LUMINAIRES, CEILING OPENING RECOMMENDED IS 2'-1/4" X 12'-1/4".

NEMA SS (Screw Slot) T-Bar

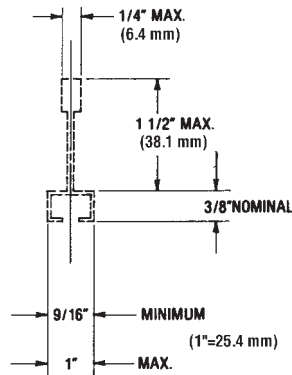


Lensed Grid Fixture

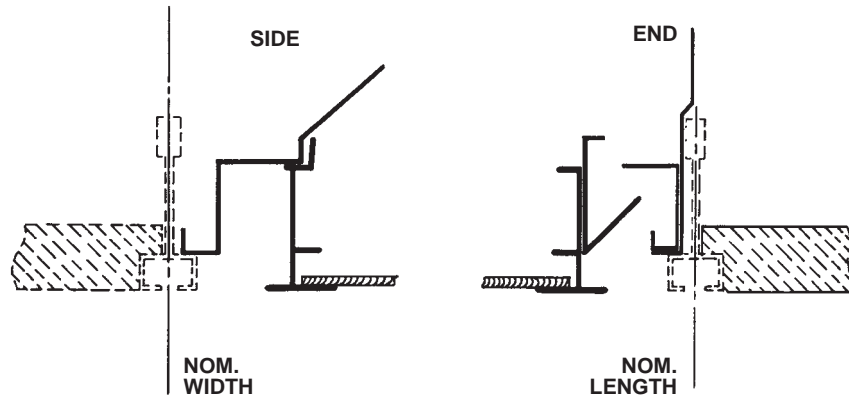


If T-Bar clips are integral with or furnished with the luminaire, they shall be field secured to the inverted ceiling Tee's, and the luminaire shall be centered within the opening. 1"=25.4mm

NEMA SS (Screw Slot) T-Bar

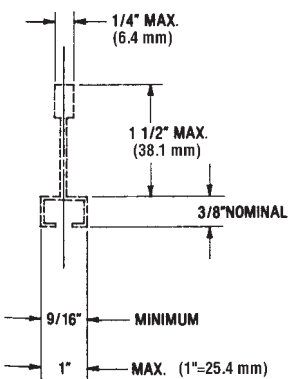


Lensed Grid Fixture with Door Frame at the Ceiling Plane

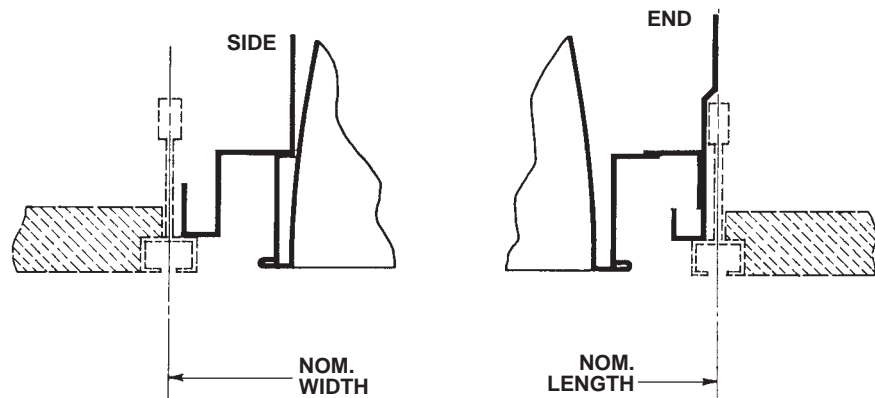


If T-Bar clips are integral with or furnished with the luminaire, they shall be field secured to the inverted ceiling Tee's, and the luminaire shall be centered within the opening. 1"=25.4mm

NEMA SS (Screw Slot) T-Bar

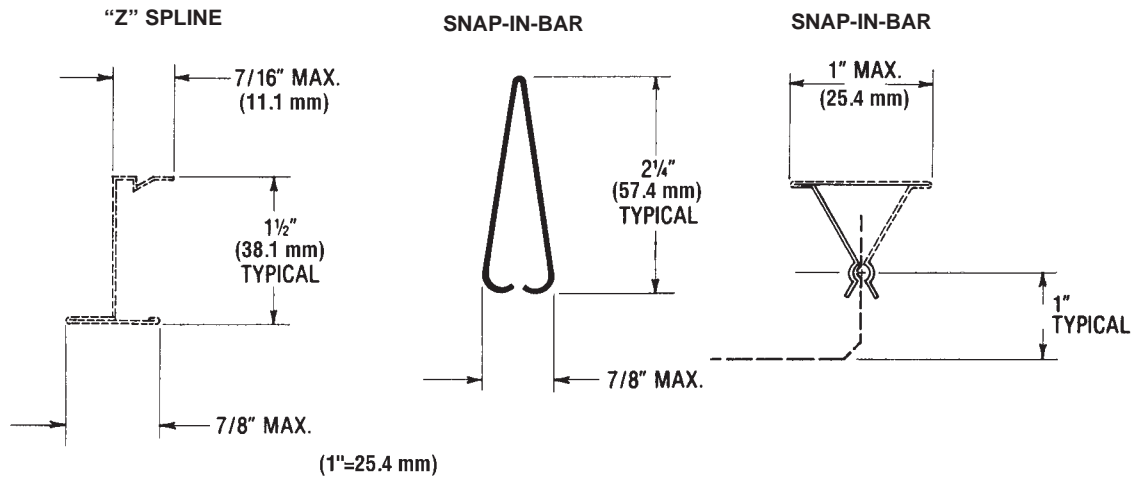


Louvered Fixture with Louvers at the Ceiling Plane



If T-Bar clips are integral with or furnished with the luminaire, they shall be field secured to the inverted ceiling Tee's, and the luminaire shall be centered within the opening. 1"=25.4mm

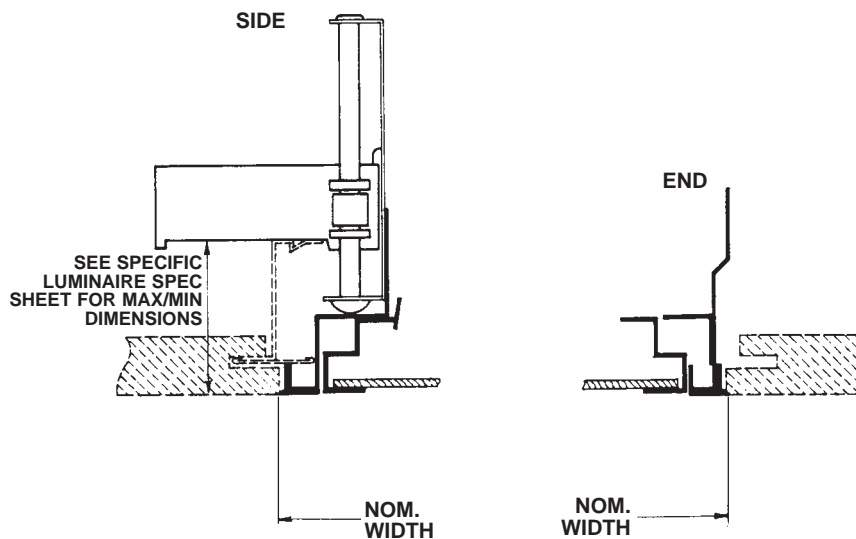
NEMA M (Modular) and NEMA Z (Z Spline)



The M/Z luminaires have flanges with turned up edges which align with the ceiling opening on all four sides. The luminaire is mounted from integral adjustable hangers. *Typical Ceilings Suspension Members are Shown Below.* 1"=25.4mm

For ceiling members with dimensions other than shown above contact factory.

Typical "Z" Spline Ceiling/Fixture



Day-Brite Troffer Compatibility With NEMA Ceiling Types†

Troffers	G	GR	Regular	NFG	NFSG	F	SS	MZ
TG8/SP								
1'x4'	G	G	G	G	G	F	G**	—
2'x2'	G	G	G	G	G	F	G**	—
2'x4'	G	G	G	G	G	F	G**	—
Designer/ DP Designer								
1'x4'	G	G	G	G	G	F	G/T*	Z
20"x48"	G	G	G	G	G	F	G/T*	—
2'x2'	G	G	G	G	G	F	G/T*	Z
2'x4'	G	G	G	G	G	F	G/T*	Z
3'x3'	G	G	G	G	G	F	G**	—
4'x4'	G	G	G	G	G	F	G**	—
LP3 Paralouver								
1'x4'	G	G	G	G	G	F	G**	Z
2'x2'	G	G	G	G	G	F	G**	Z
2'x4	G	G	G	G	G	F	G**	Z
3" Paralouver								
1'x4'	G	G	G	G	G	F	T	Z
20"x48"	G	G	G	G	G	—	T	—
2'x2'	G	G	G	G	G	F	T	Z
2'x4	G	G	G	G	G	F	T	Z
4" Paralouver								
1'x4'	G	G	G	G	G	F	T	Z
2'x2'	G	G	G	G	G	F	T	Z
2'x4'	G	G	G	G	G	F	T	Z
4'x4'	G	G	G	G	G	F	T	Z
VDT Ultra								
1'x4'	G	G	G	G	G	F	T	Z
2'x2'	G	G	G	G	G	F	T	Z
2'x4'	G	G	G	G	G	F	T	Z

If ceiling option is available, change ceiling portion of Catalog No. EXAMPLE: 2DPE432-FS01

***G/T**

“G” Fixture in non-floating (TG, TG8, SP, DG, & DPG) and floating (DGA, DPGA, LP3, P3, P4, & Ultra) door designs will have door 1/2 tile thickness above finished ceiling. See page 166 for illustration.

“T” Fixture (floating door only) door frames will be at the ceiling plane. See page 166 for illustration.

***G” Fixture will have door frame 1/2 tile thickness above finished ceiling. See page 166 for illustration.

For ceiling applications not shown contact Factory Representative.

†FOR HARD METRIC RECESSED FLUORESCENT FIXTURES SEE PAGES 66-68.